

## Harmony Power Module - Adhesive Strips

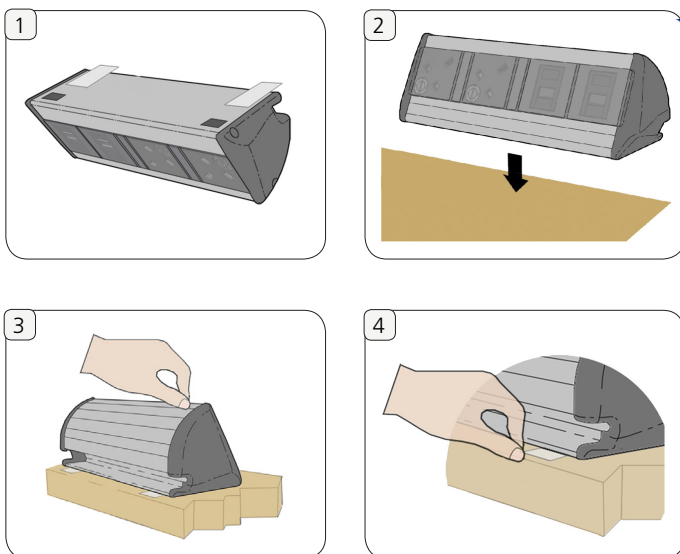
### Description

The Harmony features integral fuses which are fully compliant to current safety regulations and is configured with segregated power & data choices to suit different workstation requirements. Harmony can be used in conjunction with our under desk modules to provide greater power solutions and is fitted to the edge of desk with 'C' clamps making it functional yet non-intrusive to the working desk.

### Cleaning Storage & Maintenance

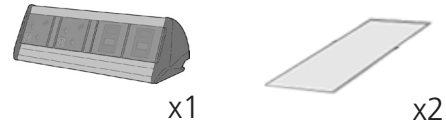
Small Parts	This product does contain small parts & should be kept out of reach from young children while being assembled
Service Components	Available to order
Cleaning & Maintenance	Damp cloth, no abrasives or solvents to be used on the cosmetic surfaces. Never use strong detergents or abrasive cleaners as may damage surface finish
Handling & Storage	Do not drop or expose to moisture

### Assembly Instructions



**Disclaimer:** The adhesive strips have been rigorously tested to ensure that they function correctly on a wide range of surfaces. However, we strongly recommend that you check with the supplier of the furniture prior to use. CMD Ltd will not be held liable for any subsequent damage that may occur during the normal use of this product. Failure to clean the surface will result in a poor bond as will touching the cleaned areas.

### Contents



Suitable for use with Contour. Harmony and Wedge power and data modules.

1. Clean both mounting surfaces with the cleaning wipe provided.
2. Place the adhesive tabs equally spaced on the unit surface, ensuring the removal tab is partially exposed (See Fig 1).
3. Position the unit on a clean, dry desk surface (See Fig 2).

#### **DO NOT TRY TO REPOSITION**

4. Apply downward pressure for a minimum of 10 seconds. The product will be usable after 20 minutes (See Fig 3).

#### **Removal of the unit**

1. Hold the unit firmly, whilst pulling the tab towards you
2. Repeat this until all tabs have been removed.