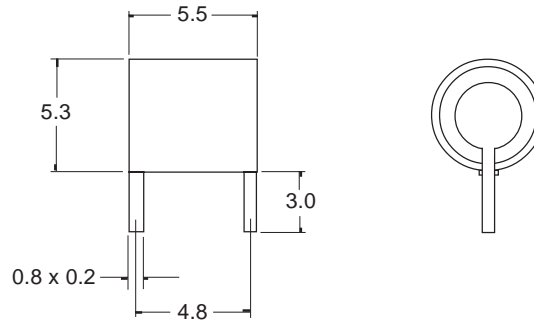


PRODUCT DATA SHEET

Vibration Sensor - Non Mercury

MN530-02S



P.C.B. holes 0.9 at 4.8 pitch

Drawings not to scale
All dimensions in mm nominal

SPECIFICATION

CONTACT FORM	Normally Closed
CONTACT RESISTANCE	Less than 5 Ohms
OPERATE ANGLE Deg.	Omni-directional
CONTACT RATING Vdc	6
Current mA	30
INSULATING RESISTANCE	More than 10 mOhms at 100Vac
WETPROOF INSULATION	80% R.H.
DIELECTRIC STRENGTH	Between contacts, 60s, 100 Vac less 1mA
OPERATING TEMPERATURE Deg. °C	-30° +80°
LIFE	1 million
VIBRATION	Operates after 8 hrs at 10Hz/1G
SOLDERABILITY	3 sec at 270 Deg. °C



Omnidirectional ball contact switch. Detects motion and movement in any direction.
Will return to closed position when at standstill.
Switch may be less sensitive in some positions.

Rev. No.	Revision Note	Date
B	Web Site 2003	1-12-03

As part of the company policy of continued product improvement, specifications may change without notice. Our sales office will be pleased to help you with the latest information on this product range and details of our full design and manufacturing service. All products are supplied to our standard conditions of sale otherwise agreed in writing.

©2003
Active Switch & Sensor Limited