

420 Plugs and Jack 84A

ASTRALUX

dynamics limited

The 420 Plug is a miniature 4 way BT plug used in conjunction with various telephone handsets throughout hospitals and Government departments. The 420 Plugs are supplied with black covers as standard, but other colours are available. They can also be supplied without covers, thrust rings and spacers on request.

The plug mates with miniature Jack 84A also available from Astralux, which is suitable for panel mounting and is mainly used to carry low currents in telecommunications. The Jacks are also available with black covers (Jack 84B) or circular nuts (Jack 84C).

Specification (420 Plug)	
British Post Office Code No:	Plug 420
Number of Conductors:	4
Standard Cover Colour:	Black
Optional Cover Colours:	Grey Ivory
Mating Jacks:	Jack 84A, 84B or 84C
Weight:	14.17 g



Specification (Jack 84A)	
British Post Office Code No:	Jack 84A
Number of Conductors:	4
Colour:	Black
Fitting:	Requires clearance hole 17.2mm diameter for panel mounting.
Weight:	10.5 g

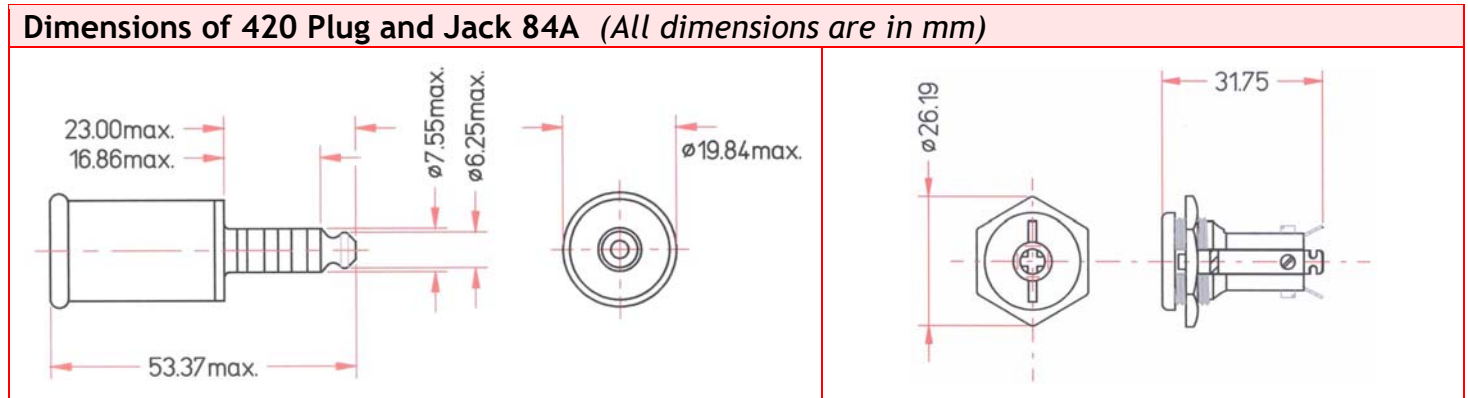


Jack 84A



Jack 84B

Part Numbers			
B70-1020	420 Plug (Black)	B76-1381	Jack 84A with hex nut
B70-1018	420 Plug (Grey)	B14-1452	Jack 84B with black cover
B70-1406	420 Plug w/o cover, thrust ring & spacer.	B82-1028	Jack 84C with circular nut
Note:	Old part no. for 420 Plug was SP490	Note:	Part no. for Jack was SP1000



Astralux Dynamics Limited
Red Barn Road, Brightlingsea,
Colchester, Essex, CO7 0SW,
United Kingdom.

Telephone: 08700 278725
Fax: 01206 303450
sales@astralux.co.uk
www.astralux.co.uk