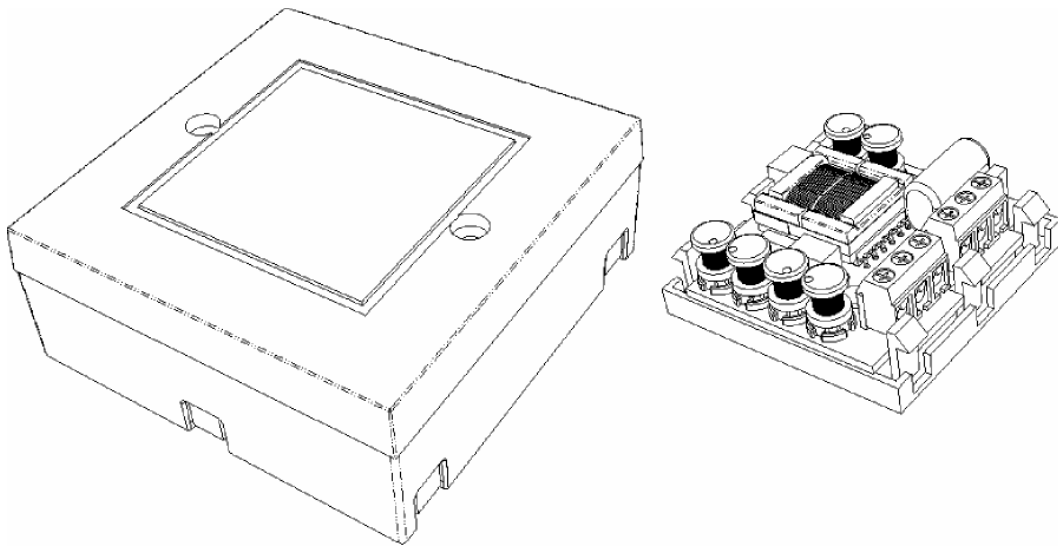




distribution

ADSL Hardwired Filter

The ADSL Hardwired filter is designed to allow the connection of hardwired autodiallers to broadband enabled lines. The unit consists of a surface mountable box that contains a standard SIN 346 compliant ADSL filter circuit which provides the correct filtering of signals to allow simultaneous use of both the autodialler and broadband services. Connections to the filter unit are made using industry standard screw terminals.



Features

- Moulded from V0 rated material colour matched to BT 01P white
- Tested to SIN 346 Issue 2.3
- Compatible with calling line identification working

Benefits

- Enables autodiallers to be connected to broadband enabled lines
- East to install
- Connections via simple screw terminals

Ordering Information

Part Number	Description
3370107	ADSL Hardwired Filter