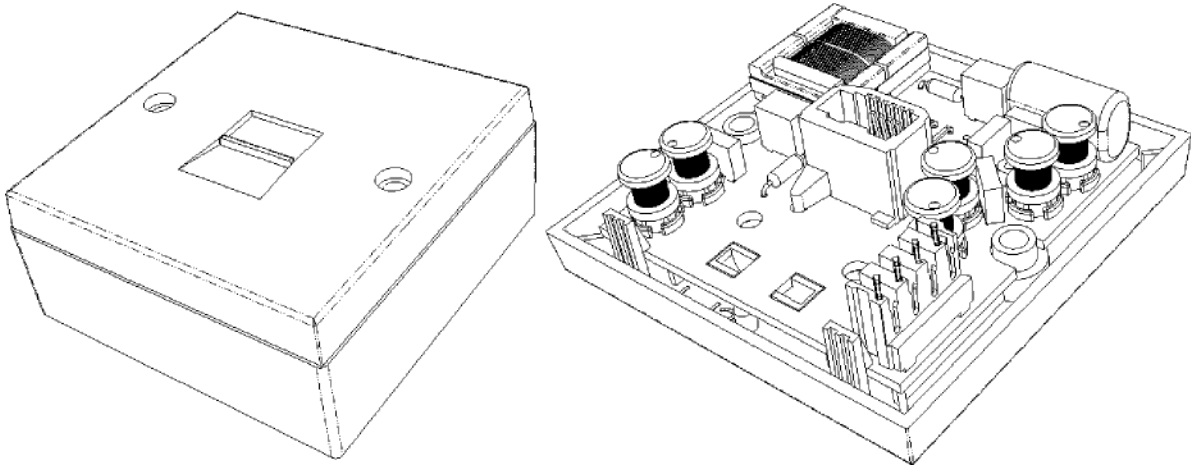




distribution

ADSL Filtered Linejack 2

The LJ2 ADSL linejack is designed to be hardwired into a broadband installation where a conventional plug in ADSL filter is deemed either unsightly or not secure. Supplied with a backbox to enable surface mounting, the unit once installed looks like a conventional series 2 Linejack unit. Incorporated on the rear of the PCB is a standard SIN 346 compliant ADSL filter circuit which provides the correct filtering of signals to allow simultaneous use of both voice and broadband services. Connections to the socket are made using industry standard LSA style IDC connections.



Features

- Moulded from V0 rated material colour matched to BT 01P white
- Tested to SIN 346 Issue 2.3
- Compatible with calling line identification working

Benefits

- Filter can not be easily removed – anti theft proof
- Aesthetically pleasing.

Ordering Information

Part Number	Description
3370101	ADSL Filtered Linejack 2